

**Specification:**

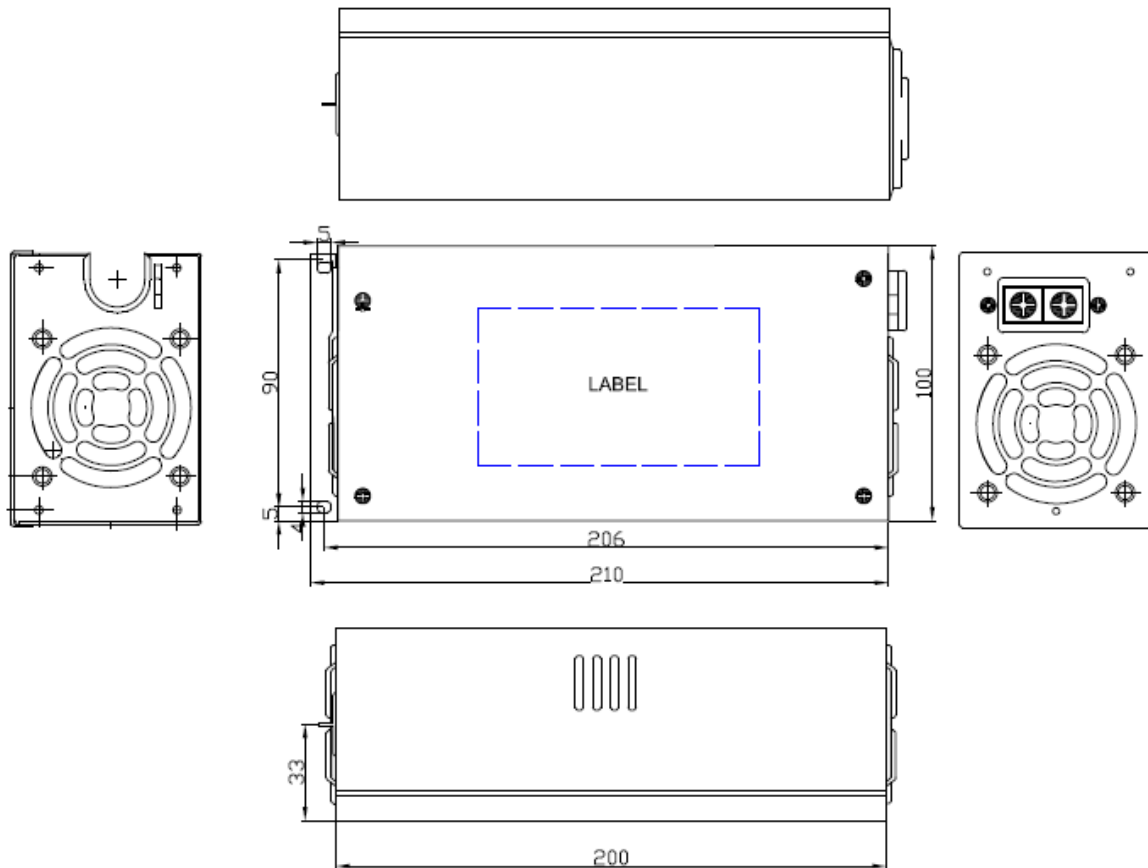
- DC input Voltage: 24V(18V~36V)
28V(18V~36V)
- Efficiency $\geq 87\%$ (24Vdc @25°C, Full Load)
- Non-isolation between primary and secondary
- Low ripple & noise
- Short circuit protection
- Over load and Voltage protection
- Line regulation: $\pm 1\%$ typical
- Load regulation: $\pm 5\%$ typical
- Operating/storage Temp. 0°C~55°C / -40°C~ 65°C
- P/G signal delay: Power on 100~500mS; off > 1mS.
- MTBF:100K Hrs typical, at 25°C
- EMC: CE EN55022 :2006 B, EN55024 ,FCC part 15 class B
- Safety: Meet EN60950
- Dimension: W100 x H70 x D200 mm
- Cooling: 60 x 60 (mm): dual fans
- Weight: 2kgs

2U JD2X7700**Output List**

Model	Input		Output min/max.A								
	Vdc	+5V	+3.3V	5V & 3.3V	+12V1	+12V2	+12V3	+12V1/2/3	-12V	+5VSB	Total Output
	V	A	A	W	A	A	A	W	A	A	Max(W)
JD2X7700	18~36	1.0/30	1.5/24	170	0.6/20	0.6/20	0.6/20	530	0/0.3	0.1/2	700

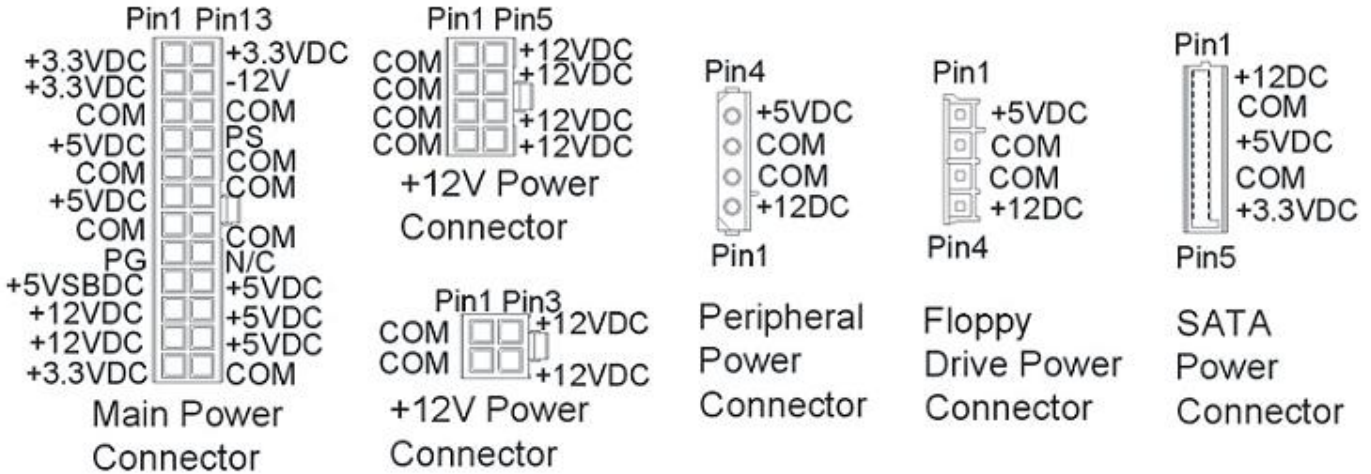


Mechanical Drawing:





Wire Harness: JD2X7700



Wiring Length :

P1 main power connector 24 pins: 500mm

P2 + P3 peripheral power connectors L4 : 500mm + 140mm

P4 + P5 peripheral power connectors L4 : 500mm + 140mm

P6 + P7 peripheral power connector L4 +

floppy drive power connector S4 : 500mm + 140mm

P8 12V-8 power connector : 500mm

P9 12V-4 power connector : 500mm

P10 SATA- power connector : 500mm