



Features and Benefit:

Excellent Protection Inside

- On-line UPS function inside
- Ultimate-protection in the power unit
(Avoiding surges, sages and fluctuations)
- Minimizing the "Single-Point-Failures"

High Energy Efficiency

- To avoid energy loss of traditional UPS
- Only one time E-M energy transfer.
- Auto battery recharge

Widely Input and Flexible Output

- AC 115~230V and DC (12V) parallel inputs.
- Batteries extensible and hot-swap
- Ni-MH battery, (option)
- Meet the ATX 12V 2.01

Intelligent Control & Monitoring

- USB interface compatibility with O/S:
WINDOWS, LINUX,

Special Predominance

- Battery discharge / charge protection

Specification:

- AC input Voltage:115~230V
- AC input frequency: 47~ 63Hz
- Active PFC compliance with EN61000-3-2 D.
- AC efficiency typical: $\geq 75\%$
- DC input Voltage:10V~14V
- DC efficiency input typical: $\geq 68\%$
- Low ripple & noise
- Short circuit protection
- Over load and Voltage protection
- Dielectric withstand input to ground:1800Vac 1 sec
- Line regulation: $\pm 1\%$ typical
- Load regulation: $\pm 5\%$ typical
- Operating/storage Temp. 0°C~45°C / -40°C~ 50°C
- Hold-up time : $\geq 18\text{mS}$
- P/G signal delay: Power on 100~500mS; off > 1mS.
- MTBF:100K Hrs typical, at 25°C
- EMC: Meet EN55022 A , EN55024
- Safety: Meet EN60950
- Dimension: W100 xD200 xH40 mm
- Cooling: 40 x40 (mm) Fan
- weight : 1.6kgs

Battery Selection:



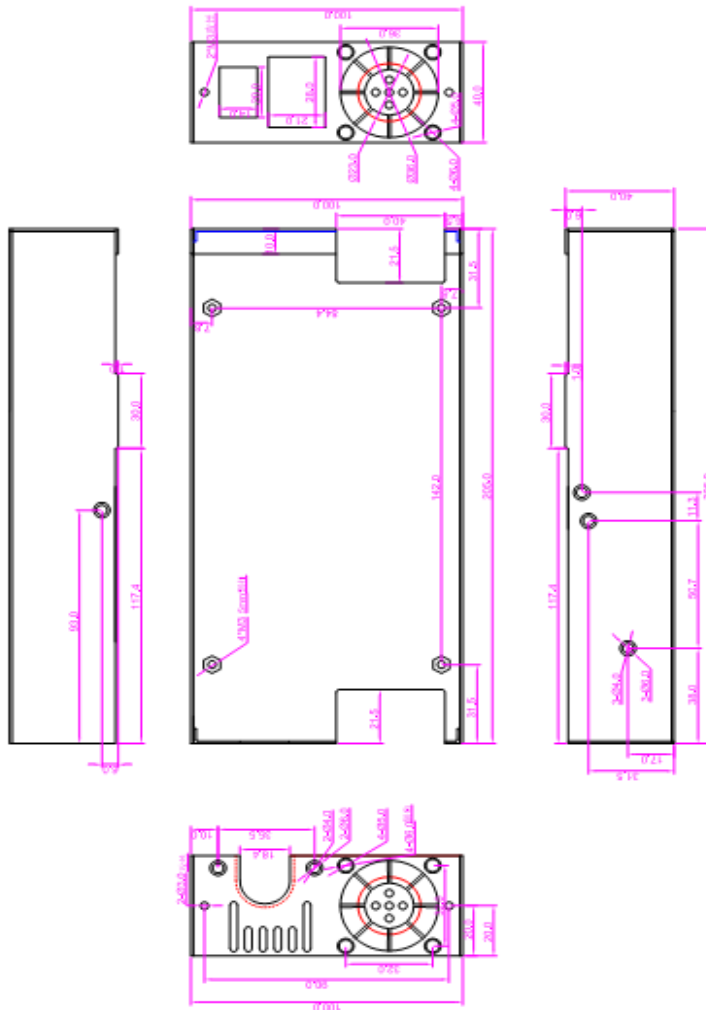
JUIX516024~JUIX520024

output List

Model	INPUT		Output min./mix's								Total Output Max. (W)
	Vac	Vdc	+ 5V	+3.3V	5V&3.3V	+12V	-12V	+5VSB	Charge 14V	+24V	
	V	V	A	A	W	A	A	A	A	A	W
JUIX516024	115-230	12	0.2/14A	0.1/13A	80W	0.6/10A	0/0.3A	0/2A	0.5	0/3	160
JUIX520024	115-230	12	0.2/14A	0.1/13A	80W	0.6/14A	0/0.3A	0/2A	0.5	0/3	200

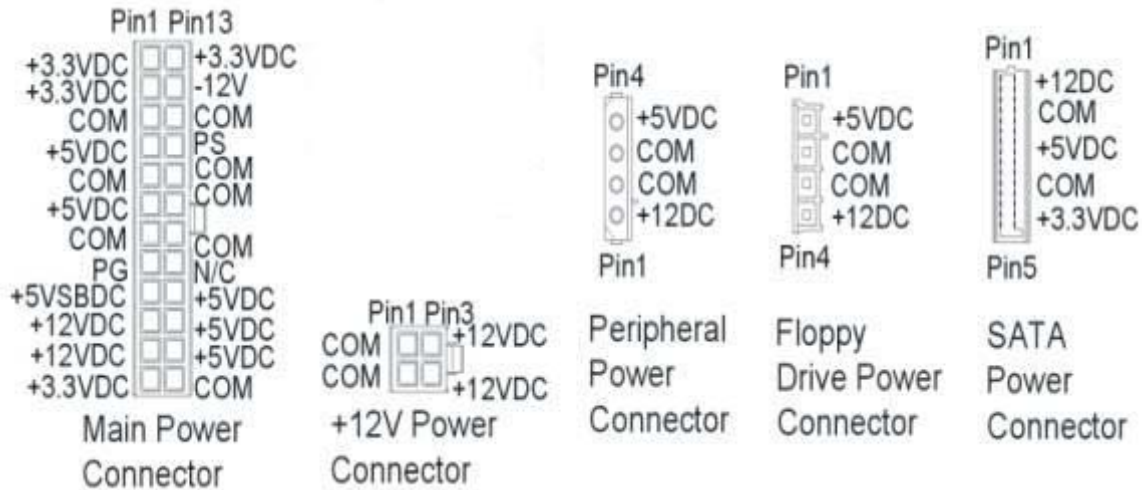


Mechanical Drawing:





Wire Harness:



Wiring Length:

P1 main power connector: 300mm

P2 + P3 peripheral power connectors L4: 300mm + 140mm

P4 + P5 peripheral power connector L4 +

Floppy drive power connector S4: 300mm + 140mm

P6 12V power connector: 300mm

SATA x 2 power connector : 300mm +140mm