



Meet ATX 12V .

## Features and Benefit:

### Excellent Protection Inside

- On-line UPS function inside
- Ultimate-protection in the power unit  
(Avoiding surges, sages and fluctuations)
- Minimizing the "Single-Point-Failures"

### High Energy Efficiency

- To avoid energy loss of traditional UPS
- Only one time E-M energy transfer.
- Auto battery recharge

### Widely Input and Flexible Output

- AC 115~230V and DC (24V) parallel inputs.
- Batteries extensible and hot-swap
- Ni-MH battery, (option)
- Meet ATX 12V 2.01
- LCD 19" Monitor support from 12Vdc output

### Intelligent Control & Monitoring

- USB interface compatibility with O/S:  
WINDOWS, LINUX,

### Special Predominance

- Battery discharge / charge protection

## Specification:

- AC input Voltage:115~230V
- AC input frequency: 47~ 63Hz
- Active PFC compliance with EN61000-3-2 D.
- AC efficiency typical:  $\geq 76\%$
- DC input Voltage:20V~36V
- DC efficiency input typical:  $\geq 75\%$
- Low ripple & noise
- Short circuit protection
- Over load and Voltage protection
- Dielectric withstand input to ground:1800Vac 1 sec
- Line regulation:  $\pm 1\%$  typical
- Load regulation:  $\pm 5\%$  typical
- Operating/storage Temp. 0°C~45°C / -40°C~ 50°C
- Hold-up time :  $\geq 17\text{mS}$  (without battery).
- P/G signal delay: Power on 100~500mS; off > 1mS.
- MTBF:100K Hrs typical, at 25°C
- EMC: meet EN55022 class A, EN55024
- Safety: meet EN60950
- Dimension: W100 xD240 xH40 mm 1U
- Cooling: 40 x40 (mm) Fan x 2
- Weight : 1.65kgs

## Battery Selection:



USPS = UPS + SMPS							
Model	USPS output power (W)	Total Efficiency	UPS Rated		SMPS output		Total Efficiency
			VA	Eff.	W	Eff.	
JUIX7400	400W	79%	780 VA	85%	400W	80%	68%



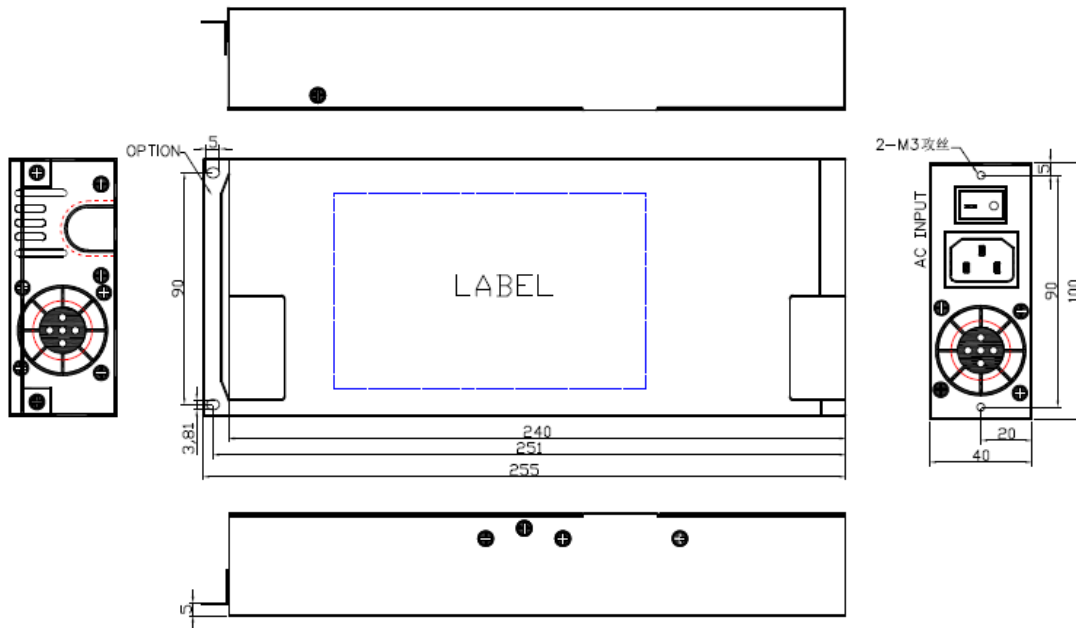
Meet ATX 12V .

**JUIX7400**

**OUTPUT LIST**

Model	INPUT		Output min./max. A							
	Vac	Vdc	+5V	+3.3V	5V & 3.3V	+12V	-12V	+5VSB	Charge 28V	Total Output Max. (W)
	V	V	A	A	W	A	A	A	A	W
JUIX7400	115-230	24	0.2/20A	0.1/21A	120W	0.6/30A	0/0.3A	0/2A	0.5	400

**Mechanical Drawing:**

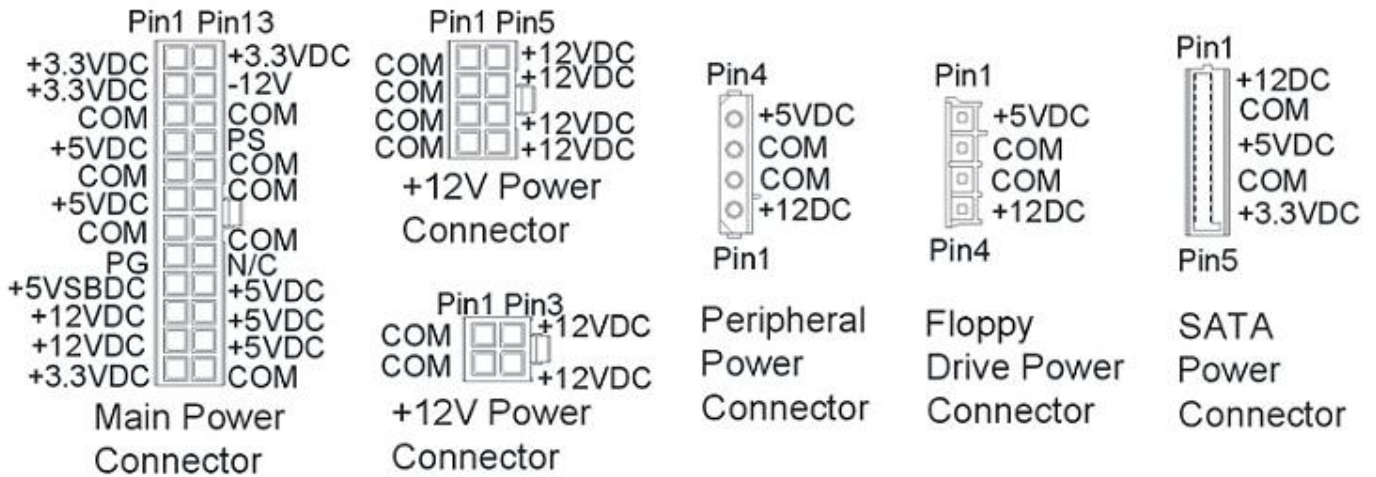




Meet ATX 12V .

## Wire Harness:

### For JUIX7400



## Wiring Length:

P1 main power connector 24 pins: 500mm

P2 + P3 peripheral power connectors L4: 500mm + 140mm

P4 + P5 peripheral power connectors L4: 500mm + 140mm

P6 + P7 peripheral power connector L4 +

Floppy drive power connector S4: 500mm + 140mm

P8 12V-8-power connector: 500mm

P9 12V-4-power connector: 500mm

SATA- power connector: 500mm