



Features and Benefit:

Excellent Protection Inside

- On-line UPS function inside
Ultimate-protection in the power unit
(Avoiding surges, sages and fluctuations)
- Minimizing the “Single-Point-Failures”

High Energy Efficiency

- High total energy efficiency
- Only one E-M energy transfer for invert.
- Auto battery charger inside

Widely Input and Flexible Output

- DC 110V and DC 24V parallel inputs.
- Batteries extensible and hot-swap
- Ni-MH battery, (option)
- Meet the ATX 12V 2.01

Intelligent Monitoring

- USB interface compatibility with O/S:
WINDOWS, LINUX,

Special Predominance

- Battery discharge / charge protection

Specification:

- Main DC input Voltage:110V (80V~140V)
- SUB DC input Voltage : 24V (20V~36V)
- DC 110V efficiency typical: $\geq 75\%$
- Battery efficiency input typical: $\geq 68\%$
- Low ripple & noise
- Short circuit protection
- Over load and Voltage protection
- Dielectric withstand 110Vdc input to secondary :
1800Vdc 1 sec
- Line regulation: $\pm 1\%$ typical
- Load regulation: $\pm 5\%$ typical
- Operating/storage Temp. 0°C~45°C / -40°C~ 60°C
- Hold-up time : $\geq 18\text{mS}$
- P/G signal delay: Power on 100~500mS; off > 1mS.
- MTBF:100K Hrs typical, at 25°C
- EMC: Meet EN55022 class A
- Safety : Meet EN60950
- Dimension: W150 x D140 x H86 mm
- Cooling: 80 x 80mm Fan x1

JUTX37350

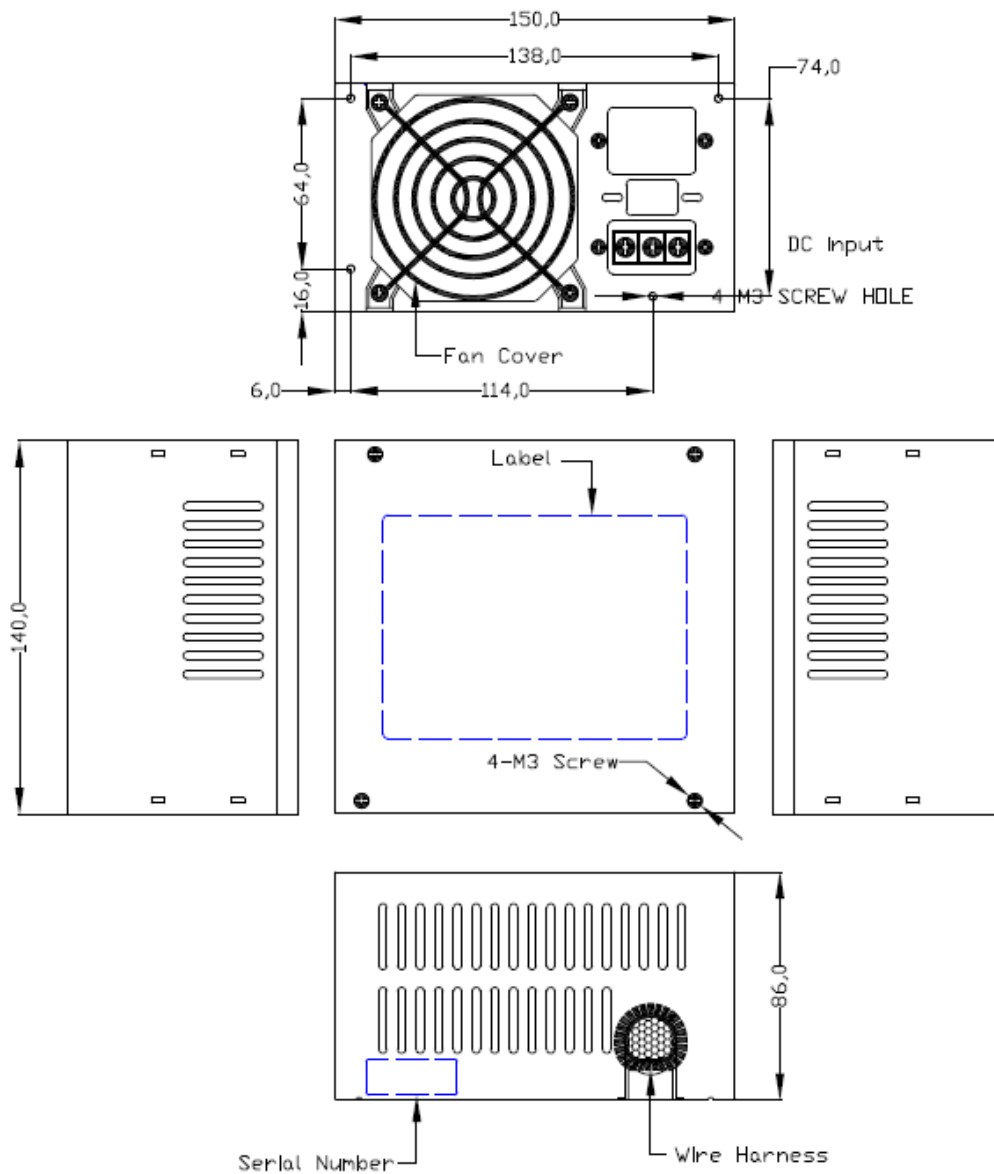
Output List

Dual DC Input

Model	INPUT		Output min./max.A							Total Output Max.(W)
	Main Vdc	Sub Vdc	+ 5V	+3.3V	5V & 3.3V	+12V	-12V	+5VSB	28Vcharge	
	Vdc	V	A	A	W	A	A	A	A / V	W
JUTX37350	110	24	0.2/20A	0.1/21A	103W	0.6/25A	0/0.3A	0/2A	0/0.5	350

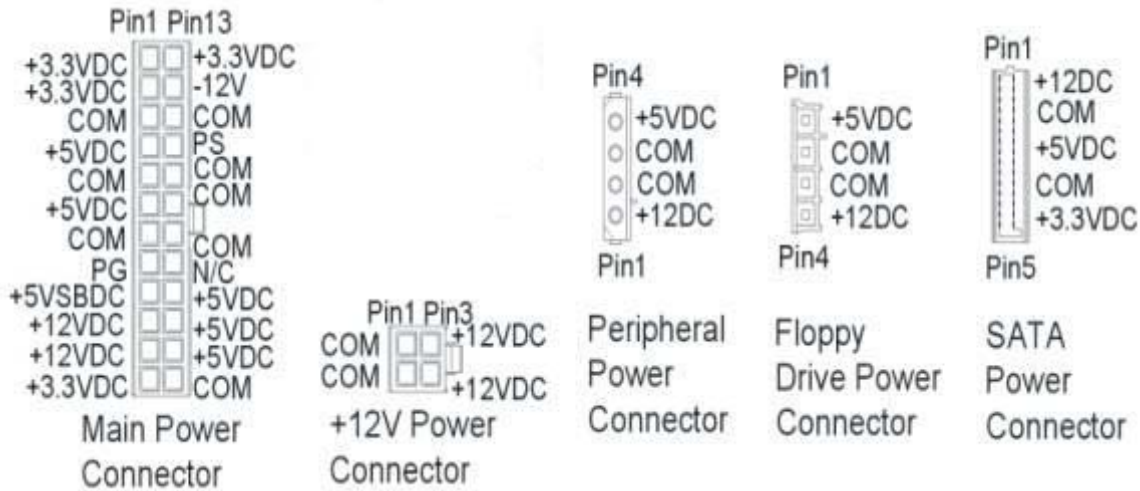


Mechanical Drawing:





Wire Harness:



Wiring Length:

P1 main power connector: 20+4 pins / 300mm

P2 + P3 peripheral power connectors L4: 300mm + 140mm

P4 + P5 peripheral power connectors L4: 300mm + 140mm

P6 12V power connector: 300mm

SATA x 2 power connector: 300mm +140mm