



**ATX 12V TYPE**

**Features and Benefit:**

**Excellent Protection Inside**

- On-line UPS function inside
- Ultimate-protection in the power unit  
(Avoiding surges, sages and fluctuations)
- Minimizing the "Single-Point-Failures"

**High Energy Efficiency**

- To avoid energy loss of traditional UPS
- Only one time E-M energy transfer.
- Auto battery recharge

**Widely Input and Flexible Output**

- AC 165~240V and DC (12V) parallel inputs.
- Batteries extensible and hot-swap
- Ni-MH battery, (option)
- Meet the ATX 12V
- Monitor Support (AC same input & High Vdc)

**Intelligent Control & Monitoring**

- USB interface compatibility with O/S:  
WINDOWS, LINUX,

**Special Predominance**

- Battery discharge / charge protection

**Specification:**

- AC input Voltage:160~240V
- AC input frequency: 47~ 63Hz
- Passive PFC .
- AC efficiency typical:  $\geq 73\%$
- DC input Voltage:12V (10-14V)
- DC efficiency input typical:  $\geq 70\%$
- Low ripple & noise
- Short circuit protection
- Over load and Voltage protection
- Dielectric withstand input to ground:1800Vac 1 sec
- Line regulation:  $\pm 1\%$  typical
- Load regulation:  $\pm 5\%$  typical
- Operating/storage Temp. 0°C~45°C / -40°C~ 50°C
- Hold-up time :  $\geq 18\text{mS}$
- P/G signal delay: Power on 100~500mS; off > 1mS.
- MTBF:100K Hrs typical, at 25°C
- EMC : meet EN55022 B, EN55024
- Safety: meet EN60950
- Dimension: W150 x D140 x H86 mm
- Cooling: 80mmx80mm x 1
- CCC certified

**Battery Selection**

Extensible Battery Pack.



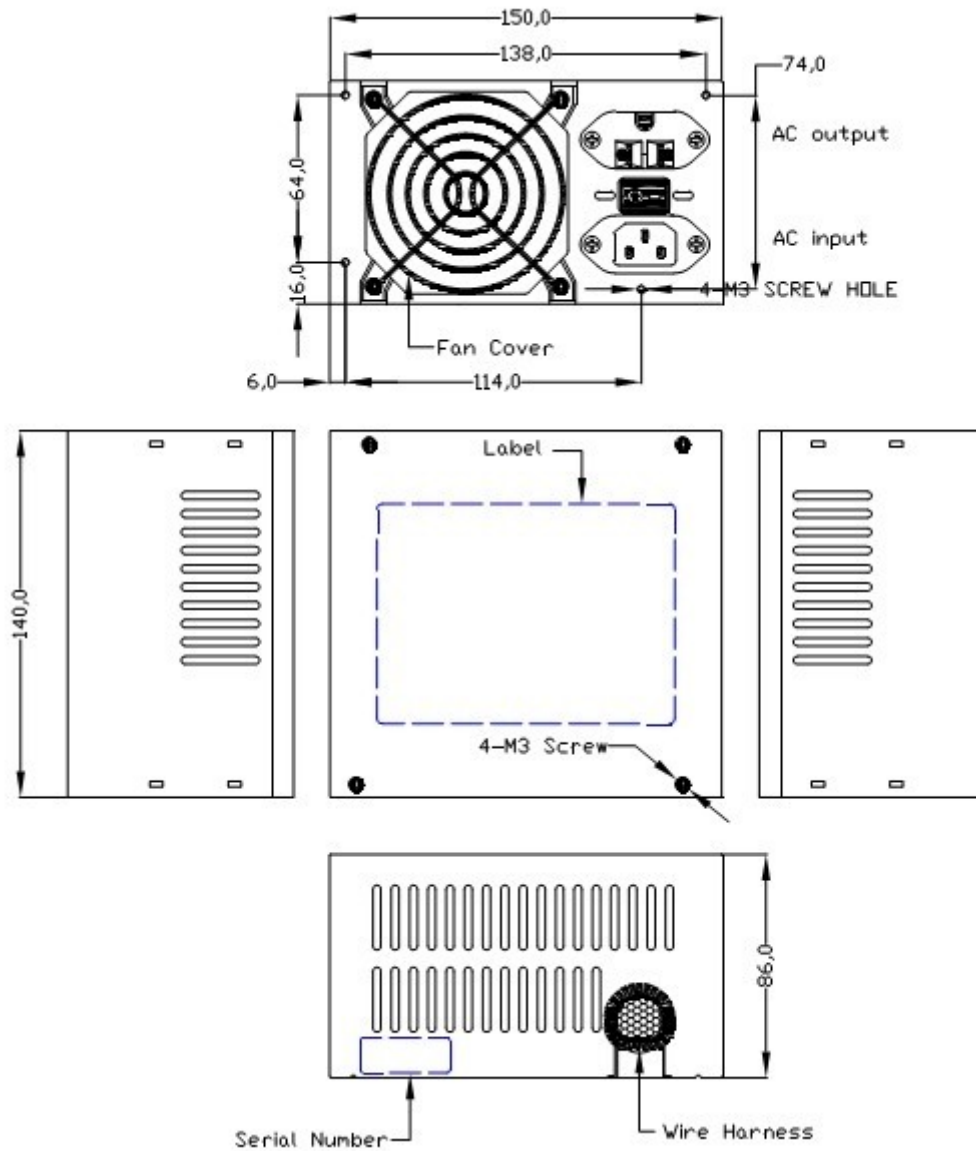
**JUTX5230**

|          | Vac     | Vdc | Output Current min/max. (A) |        |           |        |        |       |            |                  |                       |
|----------|---------|-----|-----------------------------|--------|-----------|--------|--------|-------|------------|------------------|-----------------------|
|          |         |     | + 5V                        | +3.3V  | 5V & 3.3V | +12V   | -12V   | +5VSB | Charge 14V | Monitor (Option) | Total Output Max. (W) |
|          | V       | V   | A                           | A      | W         | A      | A      | A     | A          | W                | W                     |
| JUTX5230 | 160-240 | 12  | 0.2/14                      | 0.1/13 | 103W      | 0.6/14 | 0/0.3A | 0/2   | 0.5/0.8    | 36               | 230                   |



ATX 12V TYPE

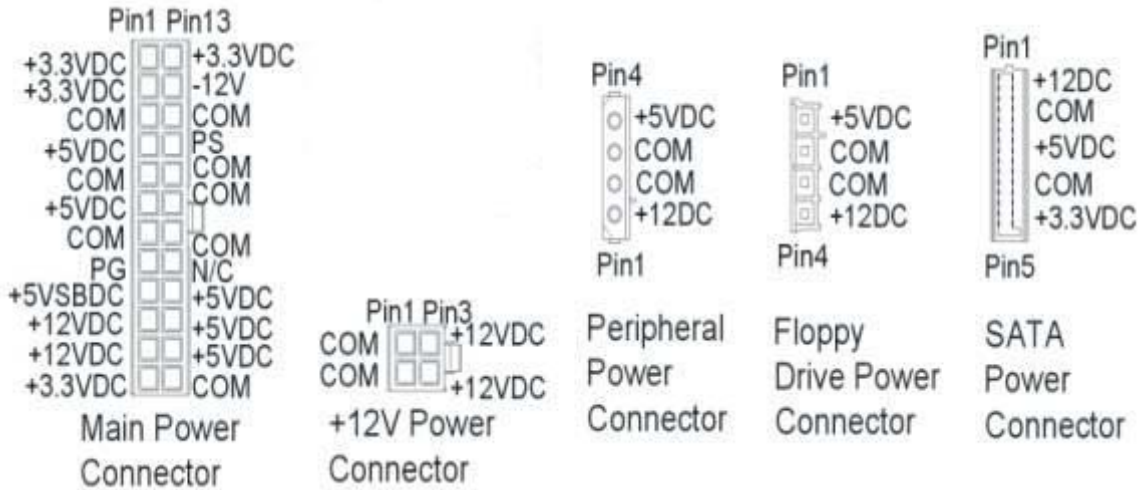
**Mechanical Drawing:**





ATX 12V TYPE

**Wire Harness:**



**Wiring Length:**

- P1 main power connector: 300mm
- P2 + P3 peripheral power connectors L4: 300mm + 140mm
- P4 + P5 peripheral power connector L4 + Floppy drive power connector S4: 300mm + 140mm
- P6 12V power connector: 300mm
- SATA x 2 power connector : 300mm +140mm