



Meet ATX 12V.

## Features and Benefit:

### Excellent Protection Inside

- On-line UPS function inside
- Ultimate-protection in the power unit  
(Avoiding surges, sages and fluctuations)
- Minimizing the "Single-Point-Failures"

### High Energy Efficiency

- To avoid energy loss of traditional UPS
- Only one time E-M energy transfer
- Auto battery recharge

### Widely Input and Flexible Output

- AC 115~230V and DC (24V) parallel inputs.
- Batteries extensible and hot-swap
- Ni-MH battery, (option)
- Meet the ATX 12V 2.01

### Intelligent Control & Monitoring

- USB interface compatibility with O/S:  
WINDOWS, LINUX,

### Special Predominance

- Battery discharge / charge protection
- Monitor Support with AC or DC back up

## Specification:

- AC input Voltage:115~230V
- AC input frequency: 47~ 63Hz
- Active PFC compliance with EN61000-3-2 D.
- AC efficiency typical:  $\geq 75\%$
- DC input Voltage:24V (20~36V)
- DC efficiency input typical:  $\geq 70\%$
- Low ripple & noise
- Short circuit protection
- Over load and Voltage protection
- Dielectric withstand input to ground:1800Vac 1 sec
- Line regulation:  $\pm 1\%$ typical
- Load regulation:  $\pm 5\%$ typical
- Operating/storage Temp. 0°C~45°C / -40°C~ 50°C
- Hold-up time :  $\geq 18\text{mS}$  without Battery
- P/G signal delay: Power on 100~500mS; off > 1mS.
- MTBF:100K Hrs typical, at 25°C
- EMC: Meet EN55022 class A EN55024
- Safety meet EN60950
- Dimension: W150 xD140 xH86 mm
- Cooling: 80mm x 80mm
- weight: 1.6kgs

## Battery Selection



USPS = UPS + SMPS							
Model	USPS output power (W)	Total Efficiency	UPS Rated		SMPS output		Total Efficiency
JUTX7160	160	75%	330	84%	160	77%	63%
JUTX7200	200	75%	412	84%	200	77%	63%



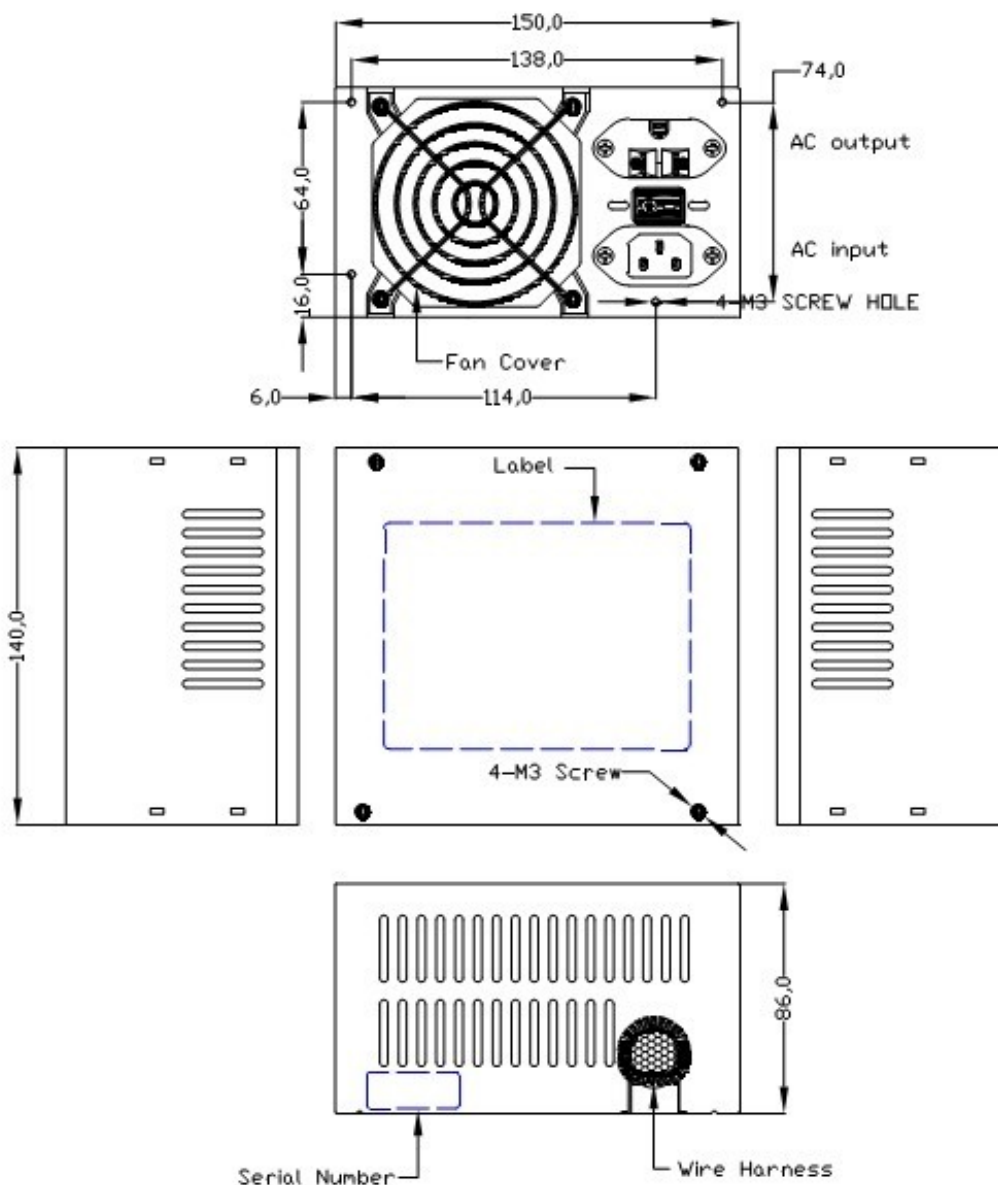
Meet ATX 12V.

**JUTX7160-7200**

**OUTPUT List**

Model	INPUT		Output min./max. A									Total Output Max. (W)
	Vac	Vdc	+5V	+3.3V	5V & 3.3V	+12V	-12V	+5VSB	Charge 28V	Total for PC Max. (W)	Monitor	
	V	V	A	A	W	A	A	A	A	W	W	W
JUTX7160	115-230	24	0.2/14A	0.1/13A	80W	0.6/10A	0/0.3A	0/2A	0.5	160	36	196
JUTX7200	115-230	24	0.2/14A	0.1/13A	80W	0.6/14A	0/0.3A	0/2A	0.5	200	36	236

**Mechanical Drawing:**

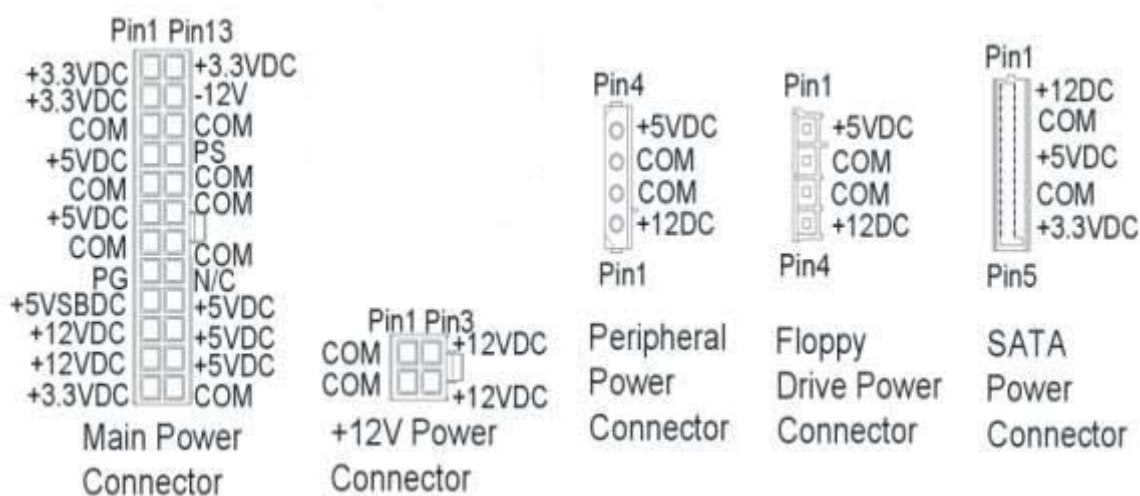




Meet ATX 12V.

**Wire Harness:**

**For JUTX7160- 7200**



**Wiring Length:**

P1 main power connector: 300mm

P2 + P3 peripheral power connectors L4: 300mm + 140mm

P4 + P5 peripheral power connector L4 +

Floppy drive power connector S4: 300mm + 140mm

P6 12V power connector: 300mm

SATA x 2 power connector : 300mm +140mm