



Meet ATX 12V.

**Features and Benefit:**

**Excellent Protection Inside**

- On-line UPS function inside
- Ultimate-protection in the power unit  
(Avoiding surges, sages and fluctuations)
- Minimizing the "Single-Point-Failures"

**High Energy Efficiency**

- To avoid energy loss of traditional UPS
- Only one time E-M energy transfer
- Auto battery recharge

**Widely Input and Flexible Output**

- AC 115~230V and DC (24V) parallel inputs.
- Batteries extensible and hot-swap
- Ni-MH battery, (option)
- Meet the ATX 12V 2.01

**Intelligent Control & Monitoring**

- USB interface compatibility with O/S:  
WINDOWS, LINUX,

**Special Predominance**

- Battery discharge / charge protection
- Monitor Support with AC or DC back up

**Specification:**

- AC input Voltage:115~230V
- AC input frequency: 47~ 63Hz
- Active PFC compliance with EN61000-3-2 D.
- AC efficiency typical: ≥76%
- DC input Voltage:24V (20~36V)
- DC efficiency input typical: ≥70%
- Low ripple & noise
- Short circuit protection
- Over load and Voltage protection
- Dielectric withstand input to ground:1800Vac 1 sec
- Line regulation: ±1%typical
- Load regulation: ±5%typical
- Operating/storage Temp. 0°C~45°C / -40°C~ 50°C
- Hold-up time : ≥18mS without Battery
- P/G signal delay: Power on 100~500mS; off > 1mS.
- MTBF:100K Hrs typical, at 25°C
- EMC: Meet EN55022 class A EN55024
- Safety meet EN60950
- Dimension: W150 xD140 xH86 mm
- Cooling: 80mm x 80mm
- weight: 1.6kgs

**Battery Selection**



<b>USPS = UPS + SMPS</b>							
Model	USPS output power (W)	Total Efficiency	UPS Rated		SMPS output		Total Efficiency
JUTX7250	250	76%	509	84%	250	78%	64%
JUTX7300	300	76%	611	84%	300	78%	65%

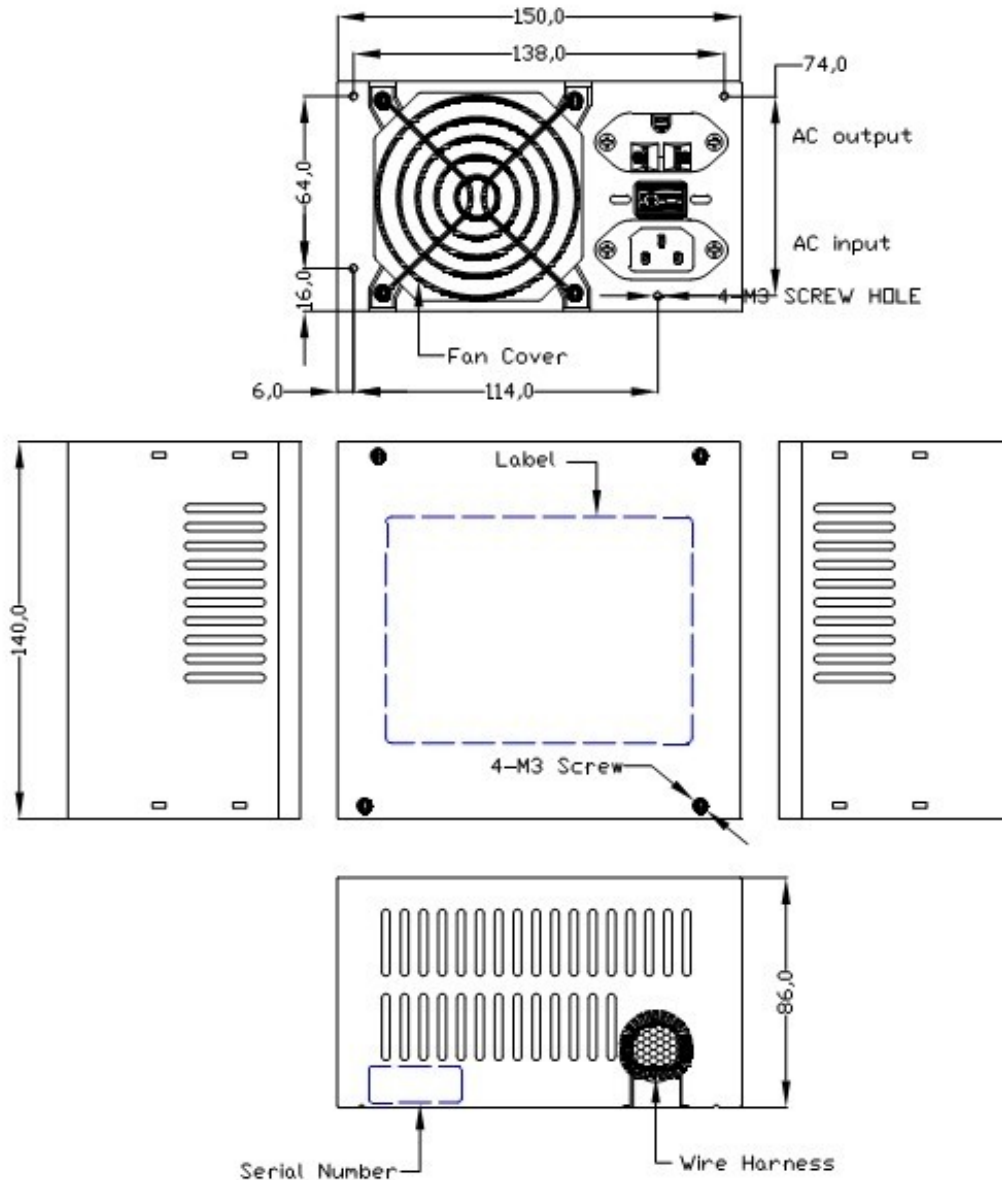


Meet ATX 12V.

**JUTX7250-7300                      OUTPUT LIST**

Model	INPUT		Output min./max. A							Charge 28V	Total for PC Max. (W)	Monitor	Total Output Max. (W)
	Vac	Vdc	+5V	+3.3V	5V & 3.3V	+12V	-12V	+5VSB					
	V	V	A	A	W	A	A	A	A	W	W	W	
JUTX7250	115-230	24	0.2/15A	0.1/19A	97W	0.6/17A	0/0.3A	0/2A	0.5	250	36	285	
JUTX7300	115-230	24	0.2/15A	0.1/21A	103W	0.6/19A	0/0.3A	0/2A	0.5	300	36	336	

**Mechanical Drawing:**

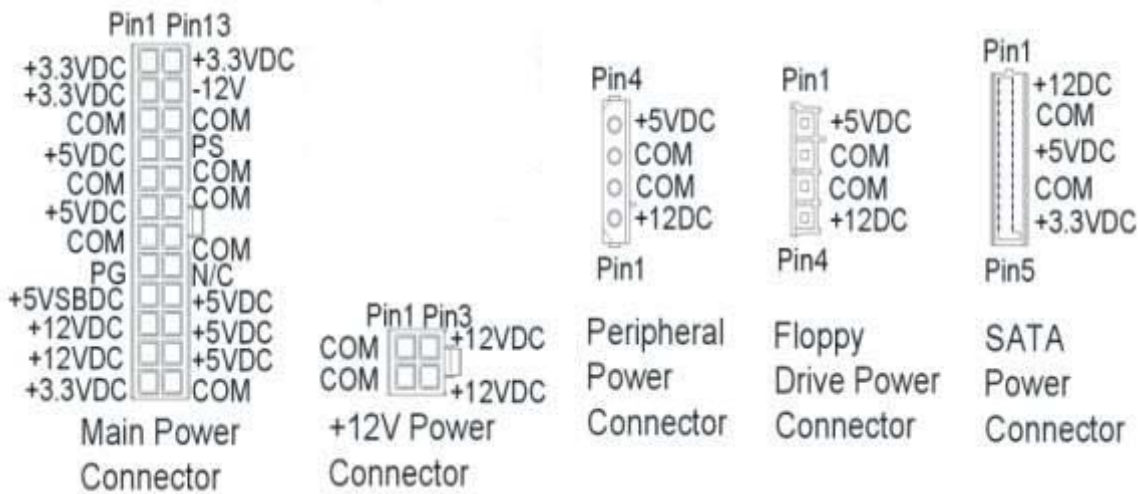




Meet ATX 12V.

**Wire Harness:**

**For JUTX7250- 7300**



**Wiring Length:**

P1 main power connector: 300mm

P2 + P3 peripheral power connectors L4: 300mm + 140mm

P4 + P5 peripheral power connector L4 +

Floppy drive power connector S4: 300mm + 140mm

P6 12V power connector: 300mm

SATA x 2 power connector : 300mm +140mm