



DC / DC ATX 12V TYPE

Specification:

- DC input Voltage:110V (80~140V)
- Efficiency typical:≥80% (Full Loading / 110Vdc @25°C)
- Isolation: 1800Vdc. Between primary and secondary.
- Low ripple & noise
- Short circuit protection
- Over load and Voltage protection
- Line regulation:± 1%typical
- Load regulation:± 5%typical
- Operating/storage Temp. 0°C~50°C / -40°C~ 65°C
- P/G signal delay: Power on 100~500mS; off> 1mS.
- MTBF:100K Hrs typical, at 25°C
- EMC: Meet EN55022 class A EN55024
- Safety: Meet EN60950
- Dimension: W150 x H86 x D140 mm, Standard P/S II size
- Cooling: 80 x 80 (mm) x 1
- Weight: 2.1kgs

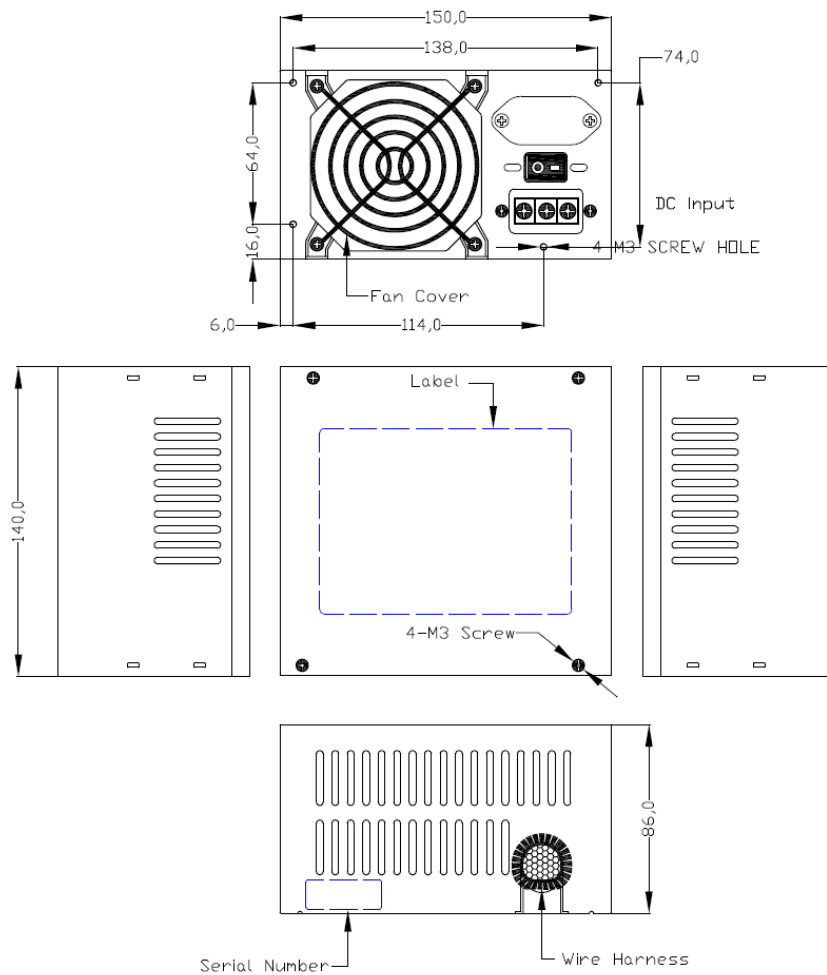
Output List

Model	Input	Output min./max.A						Total Output Max.(W)
	VDC	+5V	+3.3V	+5V&3.3V	+12V	-12V	+5VSB	
JDTX3300	110V	0.2/15A	0.1/21A	103W	0.6/19A	0/0.3A	0/2A	300W



DC / DC ATX 12V TYPE

Mechanical Drawing:

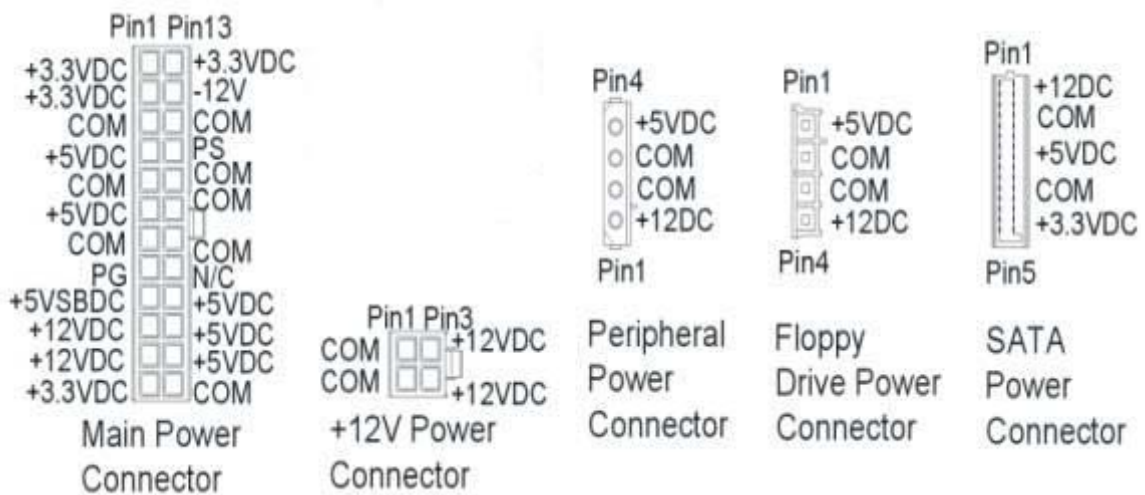




DC / DC ATX 12V TYPE

Wire Harness:

For JDTX3300



Wiring Length:

P1 main power connector: 300mm

P2 + P3 peripheral power connectors L4: 300mm + 140mm

P4 + P5 peripheral power connector L4 +

Floppy drive power connector S4: 300mm + 140mm

P6 12V power connector: 300mm

SATA x 2 power connector : 300mm +140mm